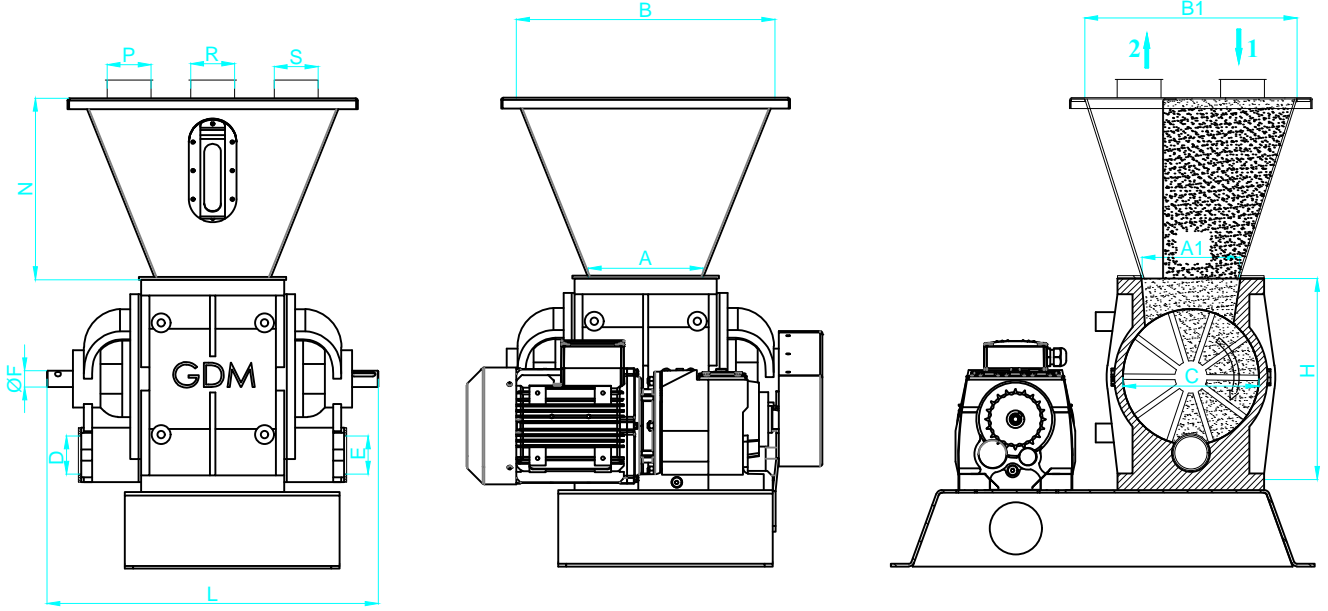


EKLÜS
RATARY AIR LOCK



P : TORBA BAĞLANTI / POUCH CONNECTION
R : ÜRÜN GİRİŞİ / MATERIAL INLET
S : KONTROL KAPAĞI / CONTROL COVER



1 - ÜRÜN GİRİŞİ
1 - MATERIAL INLET

2 - ASPIRASYON BAĞLANTISI
2 - ASPIRATION CONNECTION

3 - HAVA GİRİŞİ
3 - AIR INLET

4 - ÜRÜN ÇIKIŞI
4 - MATERIAL OUTLET

MODEL TYPE	Ölçüler / Dimensions (mm)												Ağırlık Weights (kg)
	Ax A1	BxB1	Ø C	Ø D	E	Ø F	H	L	N	Ø P	Ø R	Ø S	
GD-EK-200	160x140	400x400	200	60	60	25	330	520	280	120	120	120	140
GD-EK-250	210x180	480x390	250	70	70	30	390	610	335	120	120	120	180
GD-EK-320	255x185	750x750	320	105	105	40	470	770	510	120	150	120	260
GD-EK-450	330x255	820x820	450	120	120	50	540	875	600	120	150	120	350

Devir / dk rpm	200 Eklüs Rotary Air Lock	250 Eklüs Rotary Air Lock	320 Eklüs Rotary Air Lock	450 Eklüs Rotary Air Lock
	Hacim / Volume (Lt / h)			
15	2585	5985	11250	24255
20	3445	7980	15000	32340
25	4305	9975	18750	40425
30	5165	11970	22500	48510
35	6030	13965	26250	56600
40	6890	15960	30000	64680